

Simple Electronic Lock Project

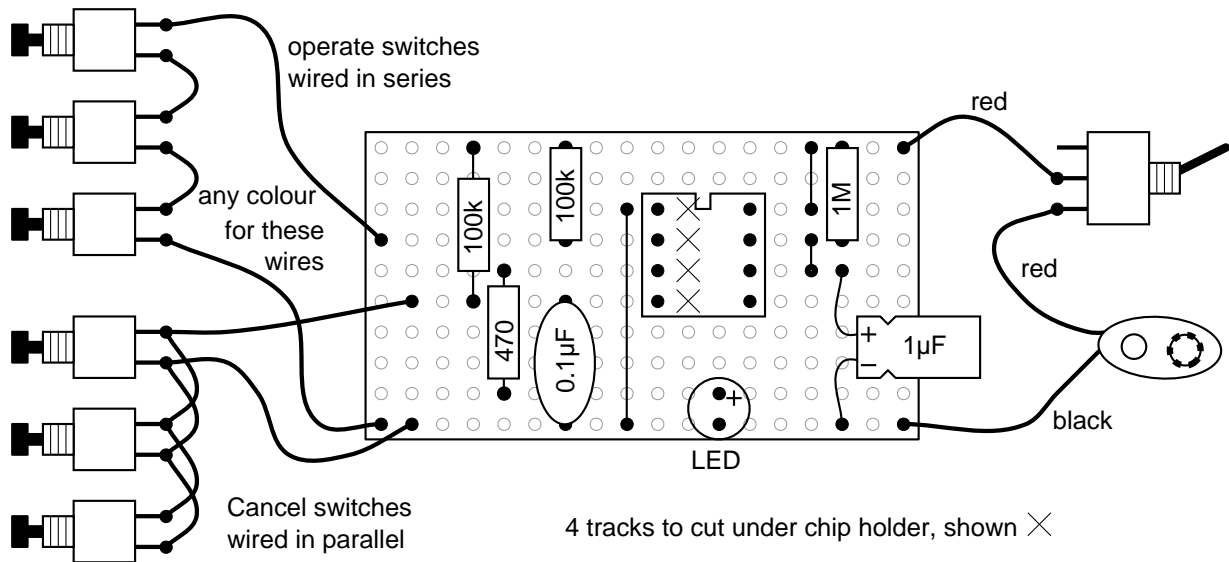
There are six (or more) push switches. To 'unlock' you must press all the correct ones at the same time, but **not** press any of the cancel switches. Pressing just one cancel switch will prevent the circuit unlocking. When the circuit unlocks it actually just turns on an LED for about one second, but it is intended to be adapted to turn on a relay which could be used to switch on another circuit.

Please Note: This circuit just turns on an LED for about one second when the correct switches are pressed. It does not actually lock or unlock anything!

Parts Required

- resistors: 470, 100k \times 2, 1M
- capacitors: 0.1 μ F, 1 μ F 16V radial
- on/off switch
- push-switch \times 6 (or more)
- stripboard 12 rows \times 25 holes
- red LED
- 555 timer IC
- 8-pin DIL socket for IC
- battery clip for 9V PP3

Stripboard Layout



Circuit diagram

